

**STANDANRD DUCT SEALING REQUIREMENTS**

*Based On SMACNA Standards*

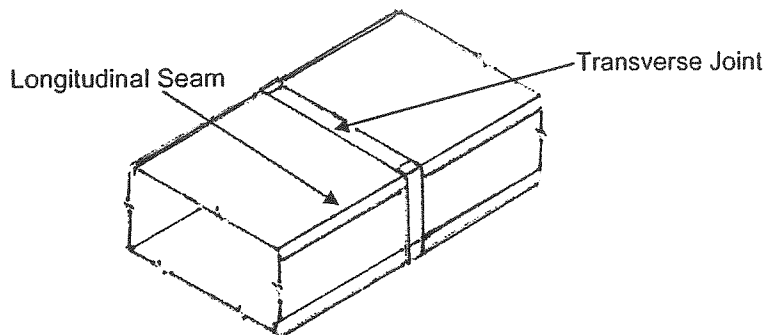
<u>Seal Class</u>	<u>Sealing Requirements</u>	<u>Applicable Static Pressure Construction Class</u>
A	<b>Class A:</b> All Transverse joints, longitudinal seams, & duct wall penetrations.	4" w.g. and up (1000 Pa)
B	<b>Class B:</b> All Transverse joints and longitudinal seams only.	3" w.g. (750 Pa)
C	<b>Class C:</b> Transverse joints only.	2" w.g. (500 Pa)

In addition to the above, any variable air volume system duct of 1" (250 Pa) and ½" w.g. (125 (Pa) construction class that is upstream of the VAV boxes shall meet Class C.

**UNREINFORCED DUCT**

*Ducts with flat slop connectors and no reinforcement(s)*

*Based On SMACNA Standards*



**Joint Options**

