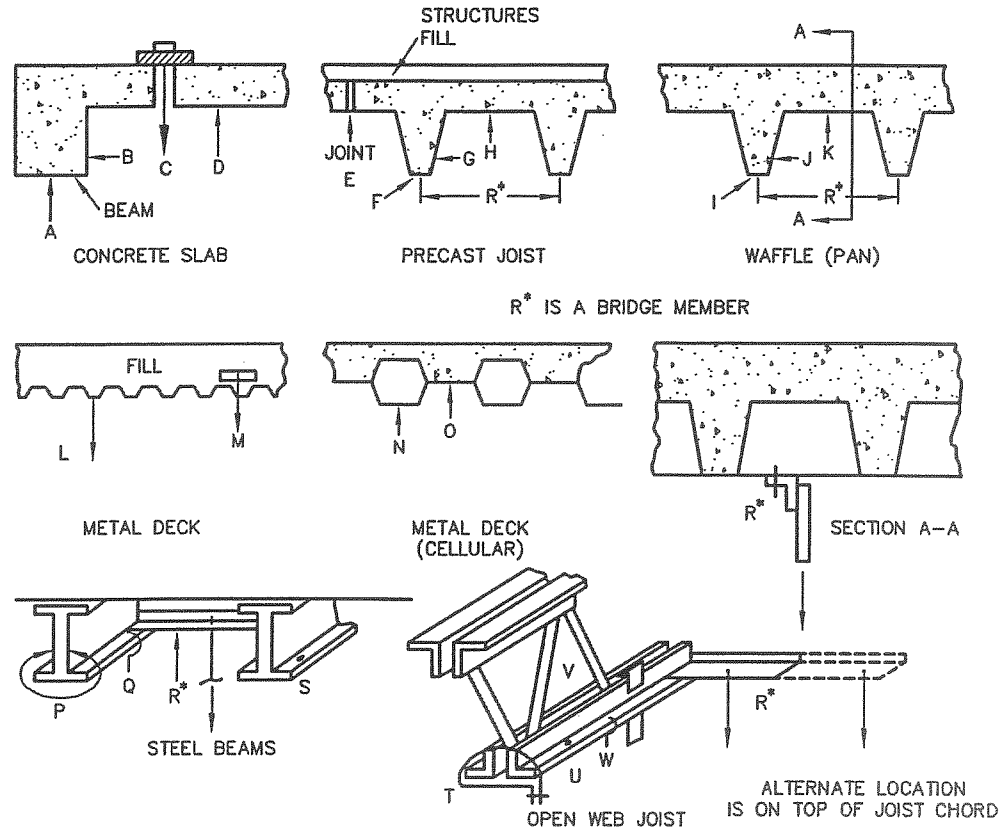


ALPHABET LETTER ONLY INDICATES AN ALTERNATIVE LOCATION OR SITUATION THAT MAY BE PERMITTED OR RESTRICTED BY DESIGN DOCUMENTS. ILLUSTRATIONS OF CONCRETE AND STEEL DO NOT PRECLUDE ATTACHMENTS TO WOOD.



CONVENTIONAL HANGER METHODS AND DEVICES

- CONCRETE SCREW ANCHORS
- CONCRETE INSERTS, SINGLE
- CONCRETE INSERTS, SLOTTED
- POWDER ACTUATED FASTENERS
- GAS DRIVEN FASTENERS
- "C" CLAMPS
- WELDED STUDS
- FRICTION CLAMPS
- STRAP
- ROD, THREADED, UNTHREADED
- BRIDGE
- BEAM CLAMP, HALF FLANGE
- BEAM CLAMP, FULL FLANGE
- EYE BOLT (OR ROD)
- TOGGLE BOLTS

- DRILLED HOLE AND BOLT
- STANCHION
- SELF TAPPING SCREWS PLUS STRAPS
- DROP IN EXPANSION ANCHORS
- KNEE BRACKET FROM WALL
- LAG SCREW EXPANSION ANCHOR
- NAILED PIN FASTENERS
- RIVETS
- SWAY BRACING
- "FISH" PLATE OR WASHER AND ROD
- HOOK OR LOOP
- VIBRATION ISOLATOR
- WIRE

NOTE: CABLE HANGING SYSTEMS WITH ADJUSTABLE MECHANICAL DEVICE  
 SELECT HANGERS FOR TYPE OF STRUCTURE AND SUSPENSION.  
 DO NOT EXCEED ALLOWABLE OR SPECIFIED LOAD LIMITS.

ALLOWABLE LOAD ON UPPER ATTACHMENT IS 1/4 OF FAILURE LOAD

FIGURE 5-1 HANGER ATTACHMENTS TO STRUCTURES

