

**TECHNICAL SYSTEMS AND EQUIPMEN**

March 13, 2013  
REPS v4.10.408

**Fire Dampers**

**Model:** DIBD60  
Deduct 1/4"

**FRAME:** B STYLE  
**MOUNTING:** VERTICAL  
**FUSELINK TEMP:** 165 DEGREES  
**SLEEVE/TRANS:** SLEEVE  
**SLEEVE LENGTH:** 16 INCHES  
**SLEEVE GAUGE:** 20 GA.  
**SLV MATERIAL:** GALVANIZED  
**MOUNTING ANGLES:** PFMA 1.5 2 SIDES  
**ANGLE DIM/GA:** 1.5X1.5X20 GA  
**STATIC PRESSURE:** 4 INCHES  
**VELOCITY:** 2000 FPM

QTY	WIDTH	HEIGHT	TOTAL SECTIONS	OVER-ALL SIZE WIDTH	OVER-ALL SIZE HEIGHT	TAG
2	24 x	12	1	24	14.75	

**TECHNICAL SYSTEMS AND EQUIPMEN**

March 13, 2013  
REPS v4.10.408

**BRAND: RUSKIN**

**Fire Dampers**

**Model:** DIBD60  
Deduct 1/4"

**FRAME:** A STYLE  
**MOUNTING:** VERTICAL  
**FUSELINK TEMP:** 165 DEGREES  
**SLEEVE/TRANS:** SLEEVE  
**SLEEVE LENGTH:** 16 INCHES  
**SLEEVE GAUGE:** 20 GA.  
**SLV MATERIAL:** GALVANIZED  
**MOUNTING ANGLES:** PFMA 1.5 2 SIDES  
**ANGLE DIM/GA:** 1.5X1.5X20 GA  
**STATIC PRESSURE:** 4 INCHES  
**VELOCITY:** 2000 FPM

QTY	WIDTH		HEIGHT	TOTAL SECTIONS	OVER-ALL SIZE WIDTH	HEIGHT	TAG
1	4	x	4				

# RUSKIN®

3900 Dr. Greaves Rd.

Kansas City, MO 64030

(816) 761-7476

FAX (816) 765-8955

## DIBD20, 40, 60 AND DIBD230, 430, 630 CURTAIN TYPE DYNAMIC FIRE DAMPERS 1½ AND 3 HOUR UL555 RATED FOR USE IN DYNAMIC AND STATIC SYSTEMS

### APPLICATION

DIBD20, 40, 60 fire dampers can be installed vertically in walls or horizontally in floors with fire resistance ratings of less than 3 hours. The DIBD20, 40, 60 carry a 1½ hour UL fire damper label and are classified as a dynamic damper for use in HVAC systems that remain in operation during a fire.

DIBD230, 430, 630 can be installed vertically in walls or horizontally in floors with fire resistance ratings of 3 hours or more. The DIBD230, 430, 630 carry a 3 hour UL fire damper label and are classified as a dynamic damper for use in HVAC systems that remain in operation during a fire.

### DYNAMIC CLOSURE RATINGS

4000 fpm (20.3 m/s) vertical mount only, up to 24" x 24" (610 x 610).

3000 fpm (15.2 m/s) vertical and horizontal mount, up to 24" x 24" (610 x 610).

2000 fpm (10.2 m/s) vertical or horizontal mount on all sizes.  
4 in. w.g. (1kPa) maximum pressure on all sizes.

### STANDARD CONSTRUCTION

#### FRAME AND BLADES MATERIAL

Galvanized steel (in gages required by UL listing R-5531).

#### FRAME/SLEEVE LENGTH

DIBD20, DIBD230 - 12" (305) long

DIBD40, DIBD430 - 14" (356) long

DIBD60, DIBD630 - 16" (406) long

#### CLOSURE SPRINGS

301 stainless steel constant force or spring clip type.

#### FUSIBLE LINK

165°F (74°C) is standard. 212°F (100°C) and 285°F (141°C) are available.

### DAMPER SIZES

The sizes listed below are for A Style dampers. Refer to pages 2 and 3 for sizes of other style dampers.

#### MINIMUM SIZE

Vertical Installation - 4"w x 4"h (102 x 102)

Horizontal Installation - 6"w x 6"h (152 x 152) for dampers no larger than 24"w or 24"h (610 or 610). Dampers larger than 24"w or 24"h (610 or 610) have a minimum size of 10"w or 10"h (254 or 254).

#### MAXIMUM SIZE

##### Single Section

Vertical Installation - 33"w x 36"h (838 x 914)

Horizontal Installation - 24"w x 24"h (610 x 610)

##### Multiple Section

Vertical Installation - 72"w x 48"h (1829 x 1219), 48"w x 72"h (1219 x 1829) or 84"w x 24"h (2134 x 610)

Horizontal Installation - 36"w x 48"h (914 x 1219)

### OPTIONS

- **FM Approvals** as Specification Tested Product.
- **Switch Package** to remotely indicate damper blade position.
- **FAST Angle** for one side angle installation
- **DIBD10** for easy all from one side installation.
- **G Style** for grille applications.
- **Access Door** factory mounted in common sleeve to ensure compliance with UL installation requirements.
- **FireStop Caulk Installation.**

**NOTE:** Dimensions shown in parentheses ( ) indicate millimeters.

Models DIBD20, 40, 60 and DIBD230, 430, 630 meet the requirements for fire dampers established by:

- **National Fire Protection Association NFPA Standards 90A and 101**
- **ICC International Building Codes**
- **CSFM California State Fire Marshal Fire Damper Listing (#3225-245:005)**
- **New York City (BSA Listing #292-71-SA) DIBD2 only.**

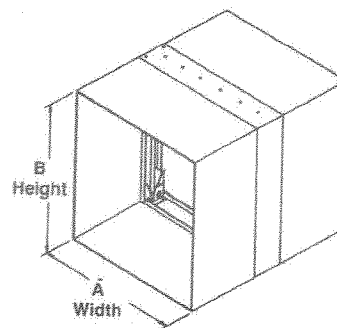
### UL CLASSIFIED

UL555 Listing R5531



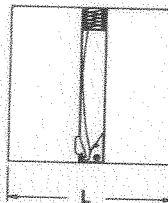
SEE COMPLETE MARKING ON PRODUCT

**FM Approvals**  
Specification Tested Product  
(Option)

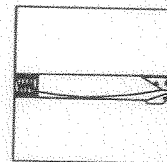


**A STYLE FRAME AND BLADES IN AIRSTREAM**

### VERTICAL MOUNT



### HORIZONTAL MOUNT



L = Frame/Sleeve Length

## DAMPER STYLES AND SIZES

### "B" Style – Blades out of airstream for high free area applications

#### MINIMUM SIZE

Vertical Installation – 4"w x 4"h (102 x 102)  
 Horizontal Installation – 6"w x 4"h (152 x 102) for dampers no larger than 24"w or 21"h (610 or 533). Dampers larger than 24"w or 21"h (610 or 533) have a minimum size of 10"w or 8"h (254 or 203)

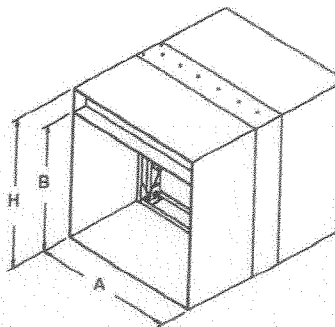
#### MAXIMUM SIZE

##### Single Section

Vertical Installation – 33"w x 32"h (838 x 813)  
 Horizontal Installation – 24"w x 21"h (610 x 533)

##### Multiple Section

Vertical Installation – 72"w x 45"h (1829 x 1143), 48"x 69"h (1219 x 1753) or 84"w x 21"h (2134 x 533)  
 Horizontal Installation – 36"w x 42"h (914 x 1067)



A = Duct Width  
 B = Duct Height  
 H = Overall Damper Height

### C and LC Style – Sealed (C) or non-sealed (LC) square or rectangular transition for maximum free area applications

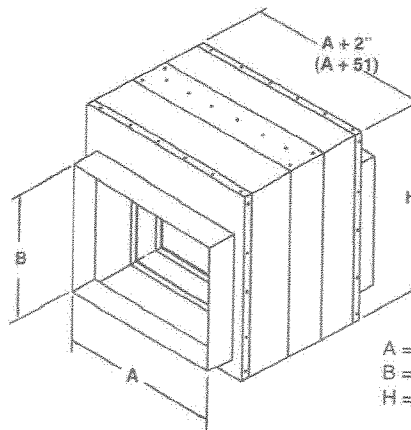
#### MINIMUM SIZE

Vertical Installation – 4"w x 3"h (102 x 76)  
 Horizontal Installation – 4"w x 3"h (102 x 76)

#### MAXIMUM SIZE

##### Single Section

Vertical Installation – 31"w x 31"h (787 x 787)  
 Horizontal Installation – 22"w x 20"h (559 x 508)



A = Duct Width  
 B = Duct Height  
 H = Overall Damper Height

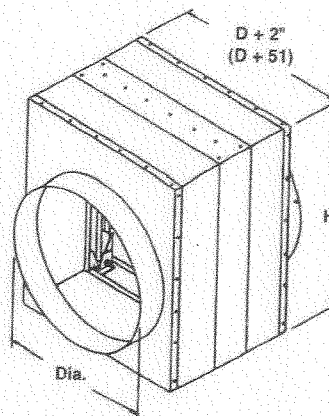
### CR Style – Sealed round transition for 100% free area applications

#### MINIMUM SIZE

Vertical Installation – 3" (76) diameter  
 Horizontal Installation – 4" (102) diameter

#### MAXIMUM SIZE

Vertical Installation  
 Single Section – 31" (787) diameter  
 Horizontal Installation  
 Single Section – 20" (508) diameter



D = Diameter  
 H = Overall Damper Height