

SMACNA STANDARD ACCESS DOORS

APPLICATION

Ruskin access doors offer quick, easy and economical installation wherever duct access is needed. Manual locks assure tight door closure and the continuous piano-type hinge models give smooth operation. The ADCW and ADHW models feature a "see through" panel that permits visual duct inspection without door removal.

STANDARD CONSTRUCTION

FRAME

22 gage (.8) galvanized steel with seal.

DOOR

22 gage (.8) galvanized steel.

ADC12 – Removable, single skin.

ADH12 – Hinged, single skin.

ADC22 – Removable, double skin.

ADH22 – Hinged, double skin.

ADCW22 – Removable, double skin with round transparent plexiglass window.

ADHW22 – Hinged, double skin with round transparent plexiglass window.

HINGE (ADH Models Only)

Continuous piano type.

LOCKS

ADH Models – Doors 16" (406) and under have one lock, doors over 16" (406) have two locks.

ADC Models – Doors 16" (406) and under have two locks, doors over 16" (406) have four locks.

SEALS

Foam gasket.

MAXIMUM STATIC PRESSURE

(per SMACNA Duct Construction Standards)

Through 12"w x 12"h (305 x 305) - 3" w.g.

Above 12"w x 12"h (305 x 305) - 2" w.g.

SMACNA standard access doors (double skin only) have been tested to higher pressures but will not be constructed per SMACNA Standards and will leak more. Refer to page 2 for more information.

INSULATION

1" (25) fiberglass.

MINIMUM SIZE

6"w x 6"h (152 x 152).

MAXIMUM SIZE

24"w x 24"h (610 x 610).

INSTALLATION

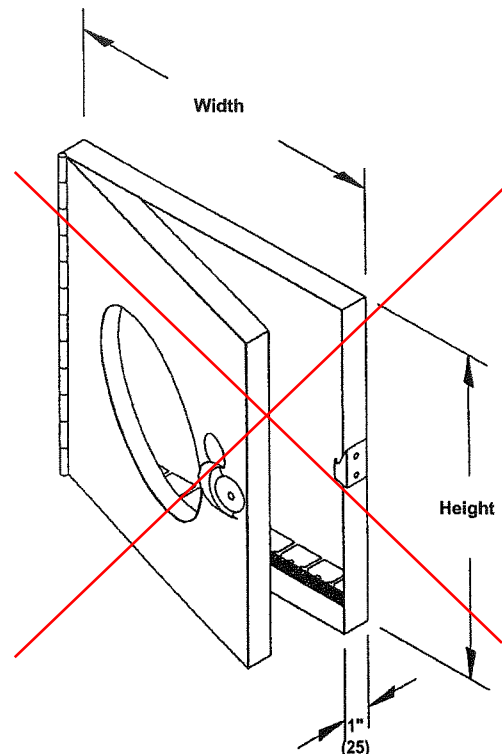
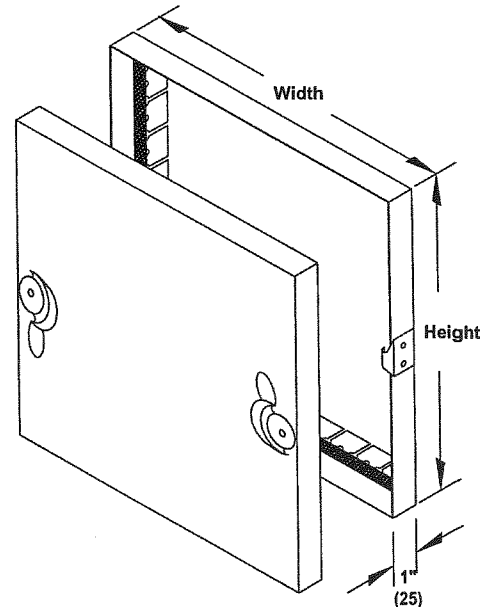
Cut hole 1/8" (28) smaller than door size.

VARIATIONS

- Additional cam locks
- Wire reinforced glass window
- 20 gage (.9) door panels
- Ventlock 100 latches
- Stainless steel construction
- Bronze hinge pins
- Brass cams
- Security chain
- Intermediate sizes between 6" x 6" (152 x 152) and 24" x 24" (610 x 610)

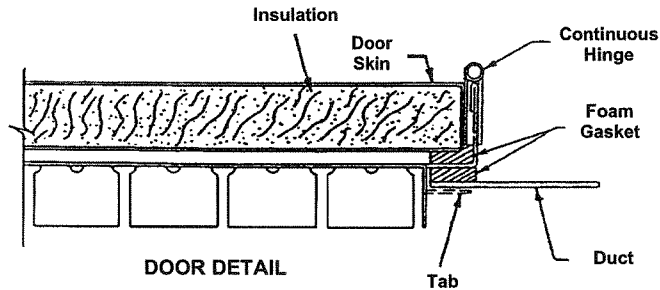
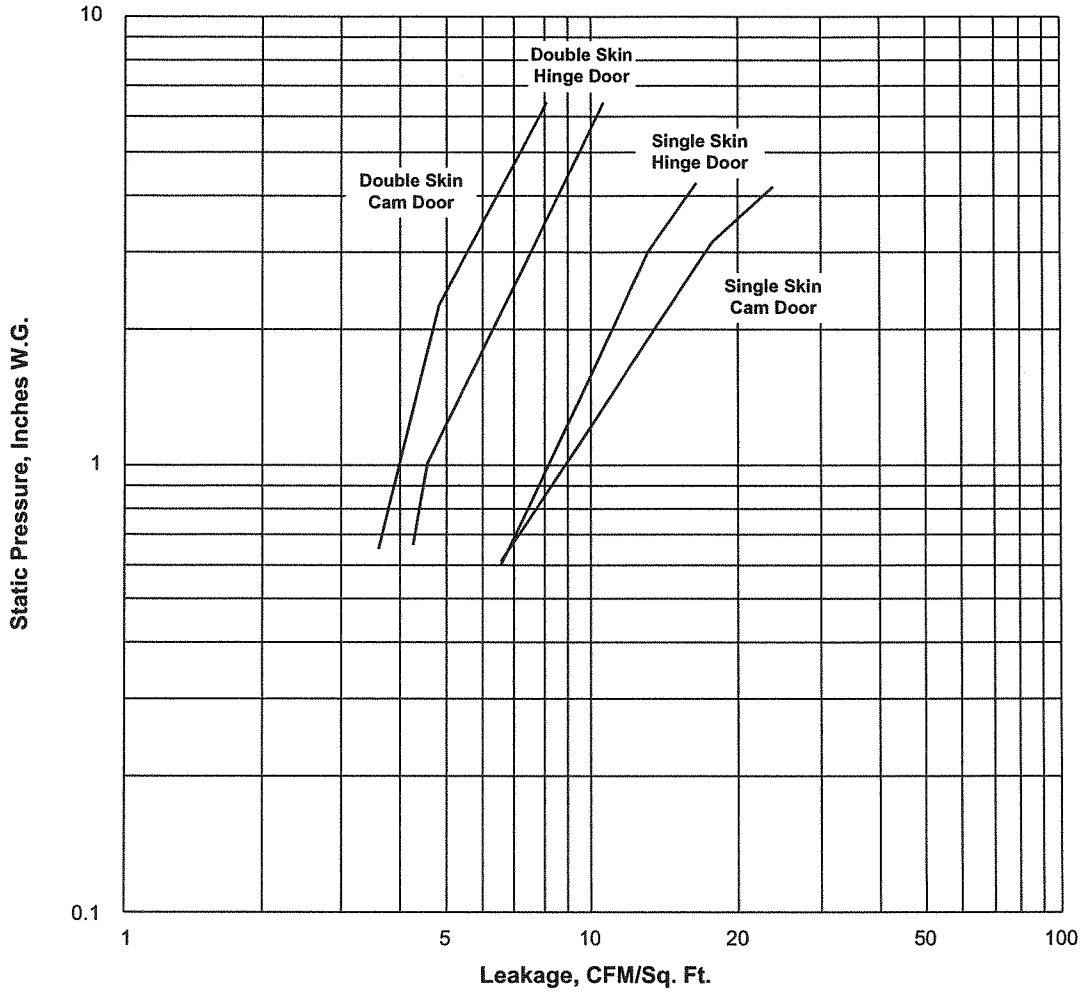
NOTES

1. Dimensions shown in parenthesis () indicate millimeters.
2. Access doors furnished actual size.
3. For doors larger than 24" x 24" (610 x 610) see GPAD.



PERFORMANCE DATA

12" x 12" ACCESS DOOR



RUSKIN[®]

3900 Dr. Greaves Rd.
Kansas City, MO 64030
(816) 761-7476
FAX (816) 765-8955
www.ruskin.com