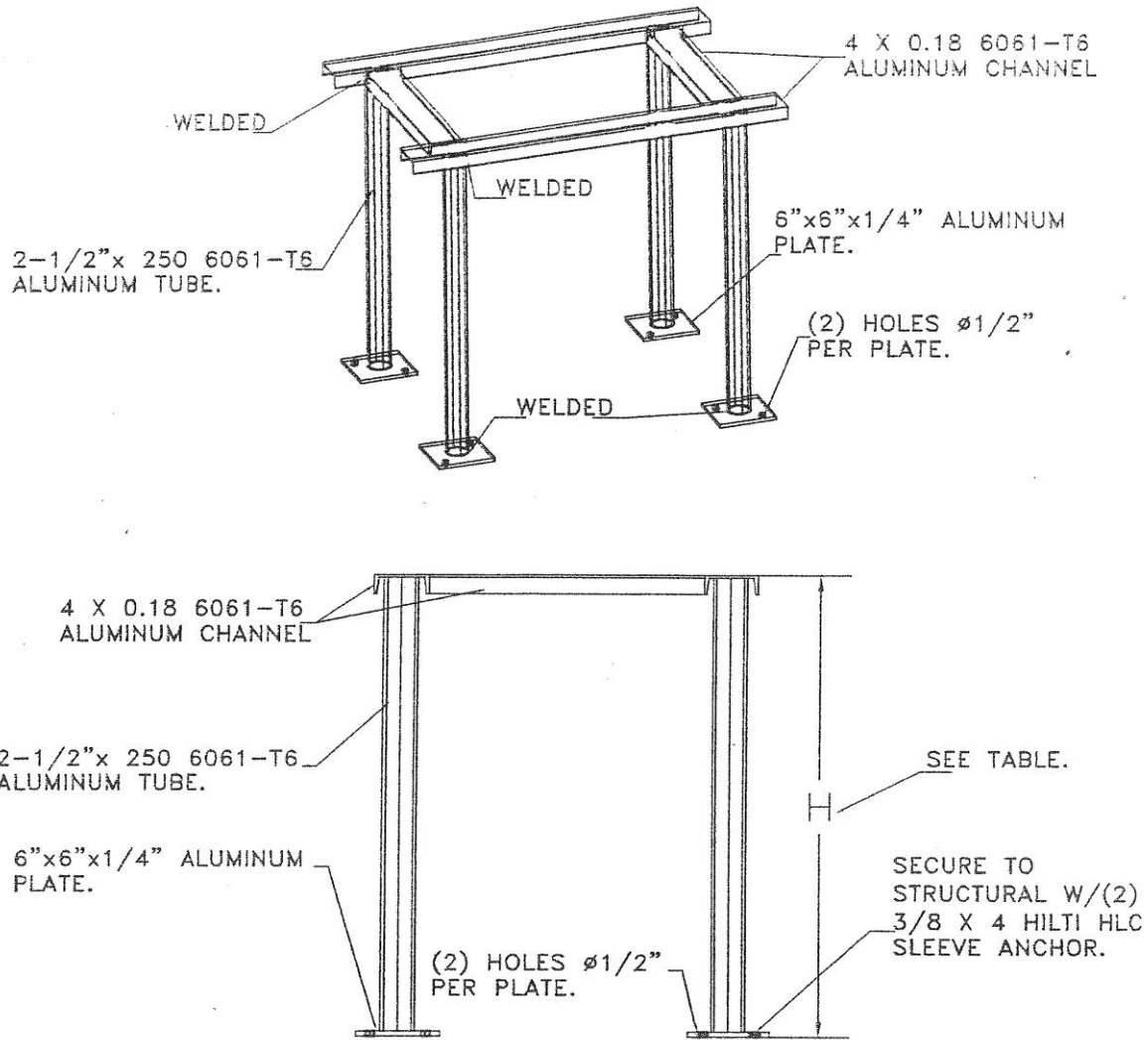


STANDARDS FOR ROOF EQUIPMENT SUPPORTS

Based On SMACNA Standards



ROOF-MOUNTED EQUIPMENT HEIGHT REQUIREMENTS**

| <u>Equipment width*</u> | <u>Height of legs</u> |
|-------------------------|-----------------------|
| Up to 24" | 14" |
| 25" to 36" | 18" |
| 37" to 48" | 24" |
| 49" to 60" | 30" |
| 61" & Wider | 48" |

* Shortest dimensions.

**NOTE: rooftop equipment height requirement shall be applicable when reroofing and on new installations.

A&A SHEETMETAL CONTRACTORS CORP.

3067 NW 107TH AVE
Doral, Florida 33172
Ph: 305.592.2217 Fax:305.592.2799
www.aasheetmetal.net