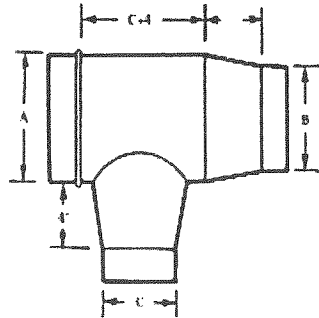
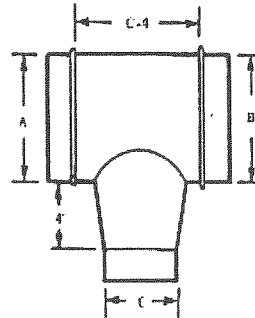


**ROUND FITTINGS AND OTHER INFORMATION**

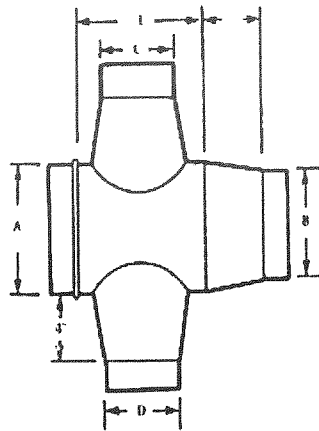
*Based On SMACNA Standards*



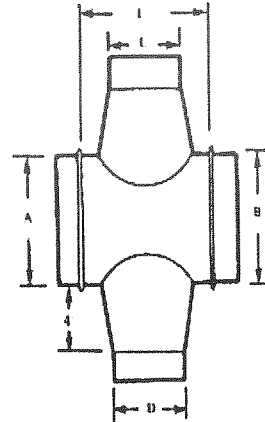
**REDUCING CONICAL TEE**



**CONICAL TEE**



**REDUCING CONICAL CROSS**  
When Ordering, List A, B, C, D  
L = Larger of C or D, + 4"



**CONICAL CROSS**

L = Larger of C or D, + 4"