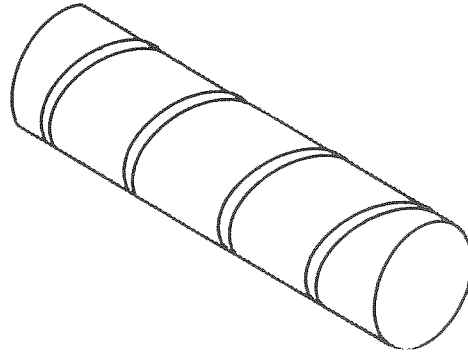
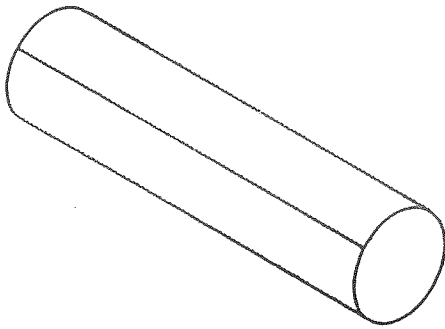


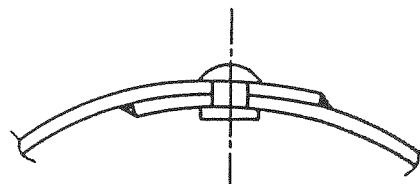
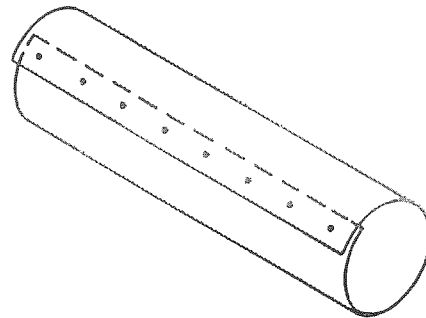
Acme lock groove seam



Spiral seam



Buttwelded seam



Lap seam riveted and soldered

LONGITUDINAL SEAMS-ROUND DUCT

DWG.11