

ACCESS DOORS

SMACNA STANDARD ACCESS DOORS

APPLICATION

Ruskin access doors offer quick, easy and economical installation wherever duct access is needed. Manual locks assure tight door closure and the continuous piano-type hinge models give smooth operation. The ADCW and ADHW models feature a "see through" panel that permits visual duct inspection without door removal.

STANDARD CONSTRUCTION

FRAME

22 gage (.8) galvanized steel with seal.

DOOR

22 gage (.8) galvanized steel.

ADC12 – Removable, single skin.

ADH12 – Hinged, single skin.

ADC22 – Removable, double skin.

ADH22 – Hinged, double skin.

ADCW22 – Removable, double skin with round transparent plexiglass window.

ADHW22 – Hinged, double skin with round transparent plexiglass window.

HINGE (ADH Models Only)

Continuous piano type.

LOCKS

ADH Models – Doors 16" (406) and under have one lock, doors over 16" (406) have two locks.

ADC Models – Doors 16" (406) and under have two locks, doors over 16" (406) have four locks.

SEALS

Foam gasket.

MAXIMUM STATIC PRESSURE

(per SMACNA Duct Construction Standards)

Through 12"w x 12"h (305 x 305) - 3" w.g.

Above 12"w x 12"h (305 x 305) - 2" w.g.

SMACNA standard access doors (double skin only) have been tested to higher pressures but will not be constructed per SMACNA Standards and will leak more. Refer to page 2 for more information.

INSULATION

1" (25) fiberglass.

MINIMUM SIZE

6"w x 6"h (152 x 152).

MAXIMUM SIZE

24"w x 24"h (610 x 610).

INSTALLATION

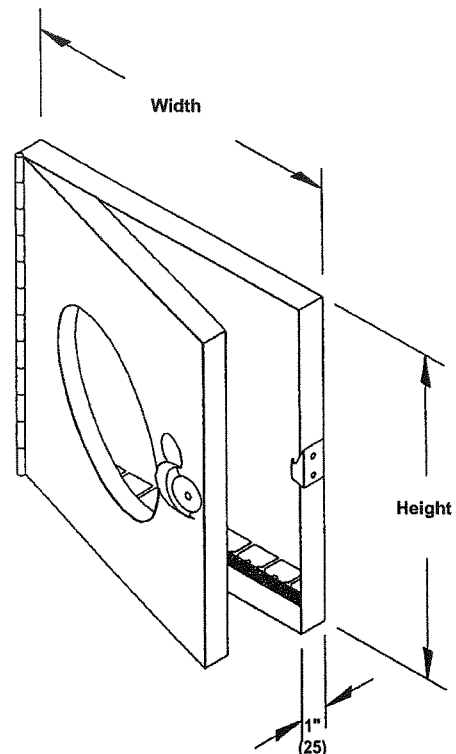
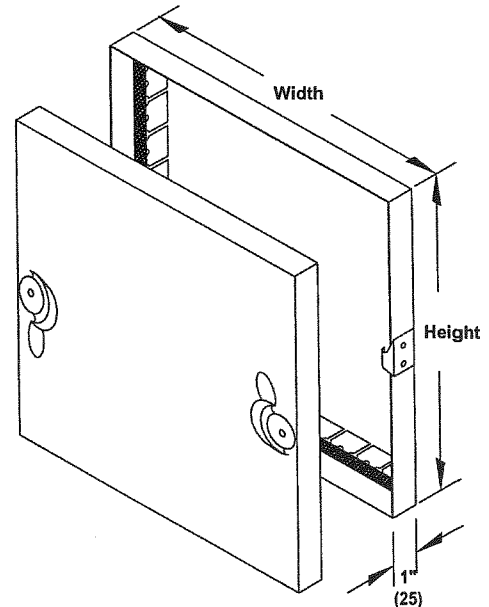
Cut hole 1/8" (28) smaller than door size.

VARIATIONS

- Additional cam locks
- Wire reinforced glass window
- 20 gage (.9) door panels
- Ventlock 100 latches
- Stainless steel construction
- Bronze hinge pins
- Brass cams
- Security chain
- Intermediate sizes between 6" x 6" (152 x 152) and 24" x 24" (610 x 610)

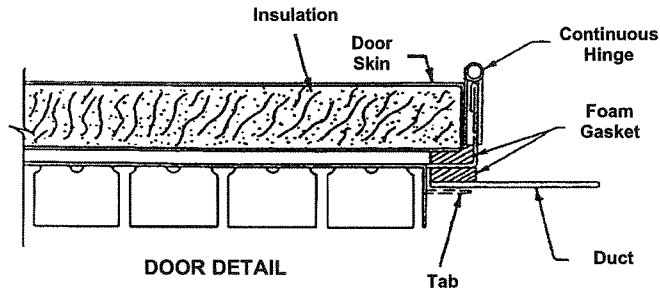
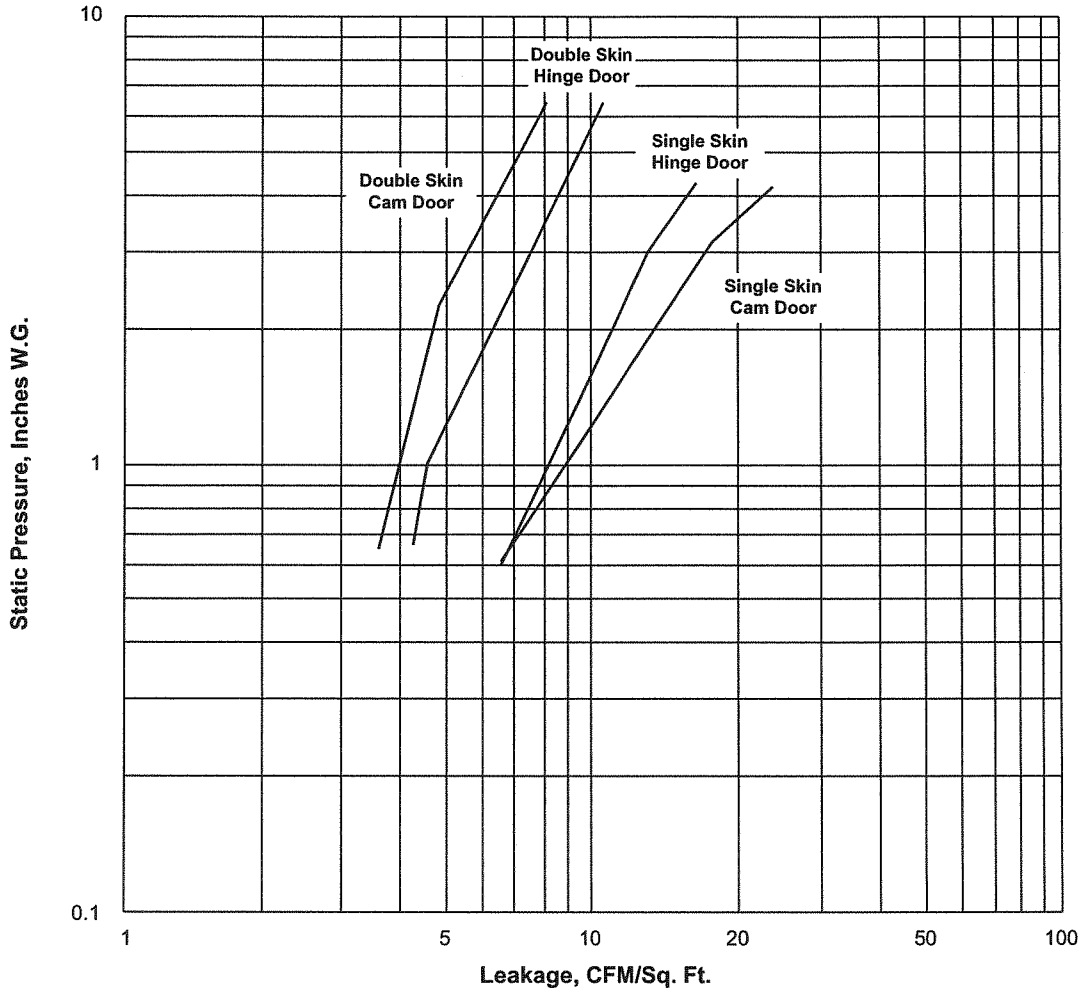
NOTES

1. Dimensions shown in parenthesis () indicate millimeters.
2. Access doors furnished actual size.
3. For doors larger than 24" x 24" (610 x 610) see GPAD.



PERFORMANCE DATA

12" x 12" ACCESS DOOR



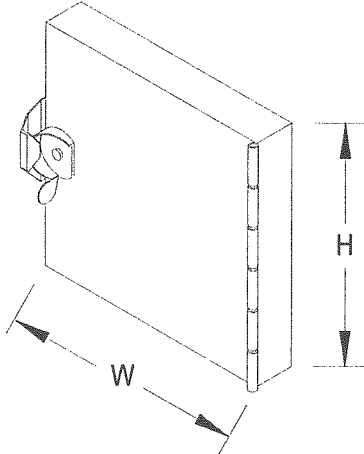
RUSKIN®

3900 Dr. Greaves Rd.
Kansas City, MO 64030
(816) 761-7476
FAX (816) 765-8955
www.ruskin.com

Model: HAD-10

Ratings and General Construction

Material: Galvanized Union label: No



Application & Design

Greenheck duct access doors provide a durable, practical and inexpensive means of gaining access to components inside the ductwork. Recommended for use in low to medium pressure duct systems. HAD-10 access doors are rated for up to 4.500 (in.) static pressure when properly installed.

Notes: All dimensions shown are in units of in..

Row ID	Tag	Quantity	Width (in.)	Height (in.)
4-1		1	12.000	12.000

Total Qty: 1

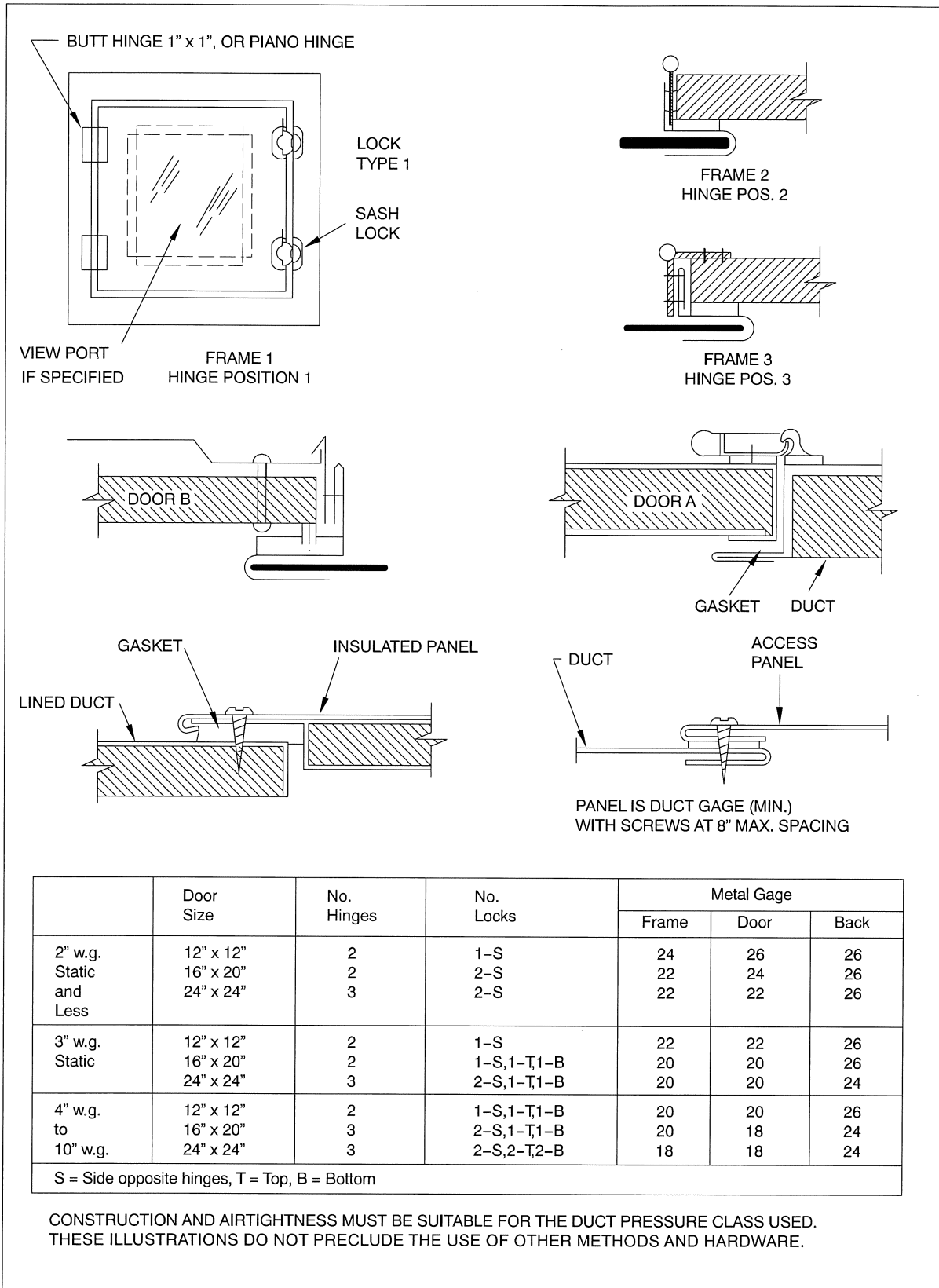


FIGURE 7-2 DUCT ACCESS DOORS AND PANELS