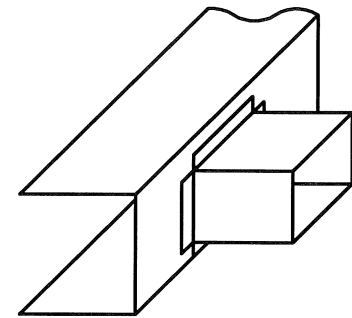
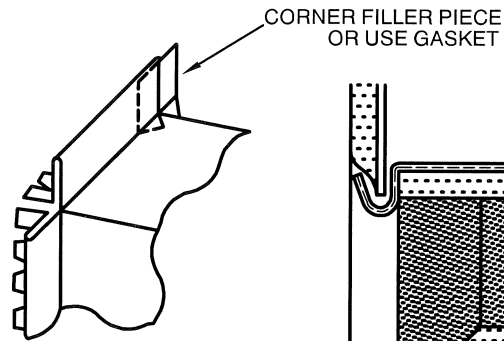


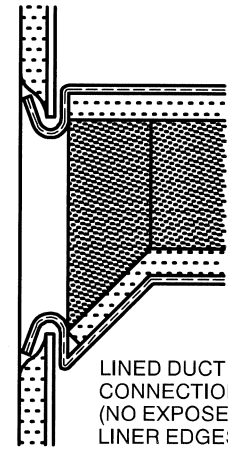
SEE VOLUME DAMPERS IN FIG. 2-1 AND FIG 2-15



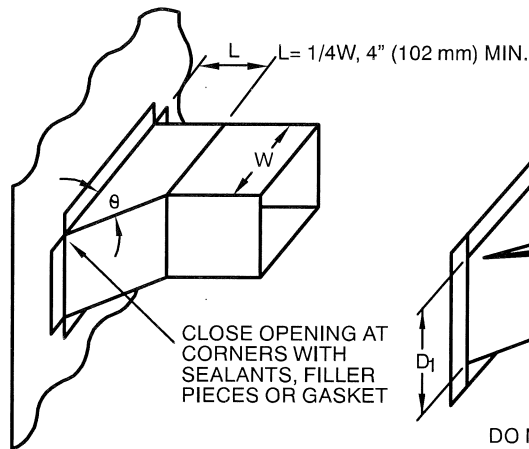
STRAIGHT TAP BUTT FLANGE OR CLINCH LOCK



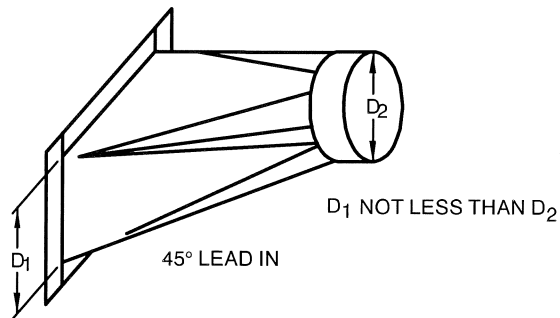
CLINCH LOCK



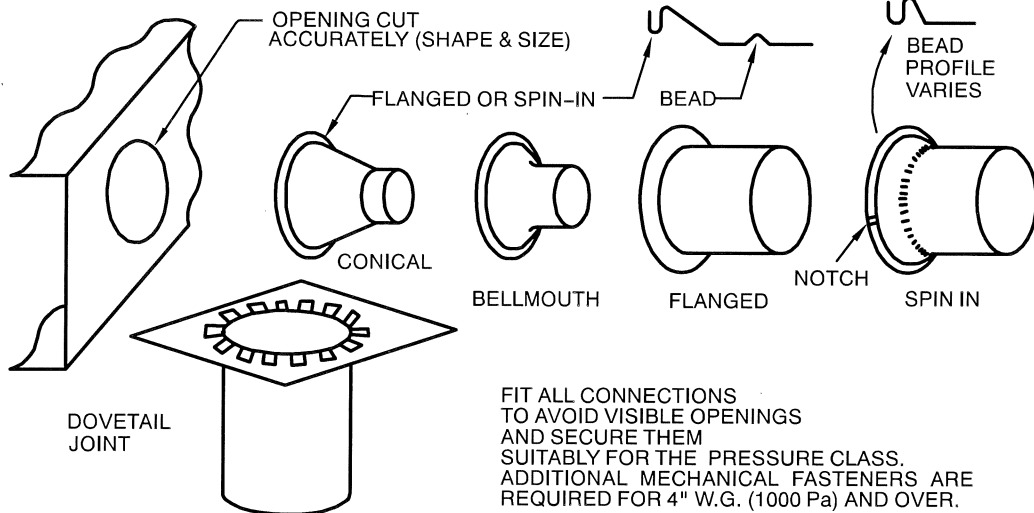
LINED DUCT CONNECTION (NO EXPOSED LINER EDGES)



45 DEGREE ENTRY $\theta 45^\circ$



DO NOT USE CONNECTIONS WITH SCOOPS.



FIT ALL CONNECTIONS TO AVOID VISIBLE OPENINGS AND SECURE THEM SUITABLY FOR THE PRESSURE CLASS. ADDITIONAL MECHANICAL FASTENERS ARE REQUIRED FOR 4" W.G. (1000 Pa) AND OVER.

FIGURE 4-6 BRANCH CONNECTION