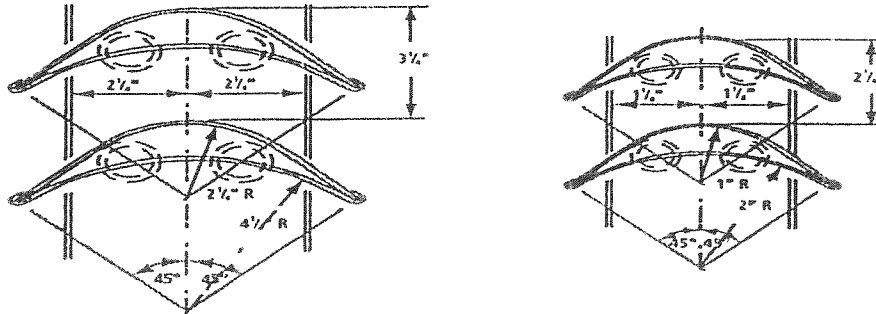


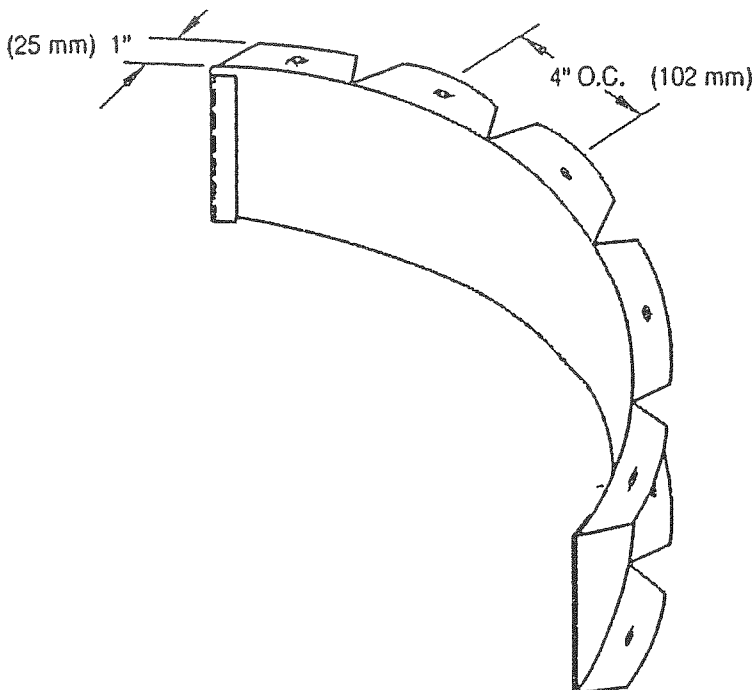
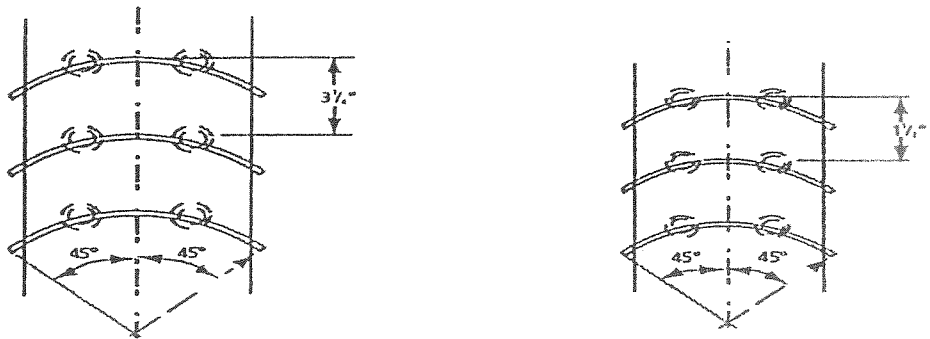
DUCT VANES

Based On SMACNA Standards

Dual Wall Vanes



Single Wall Vanes



- GAGUE IS SAME AS DUCT RADIUS
- ATTACH TO RADIUS ELBOW WITH (MINIMUM) #10 SHEETMETAL SCREW.