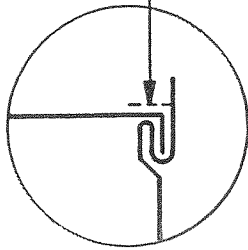
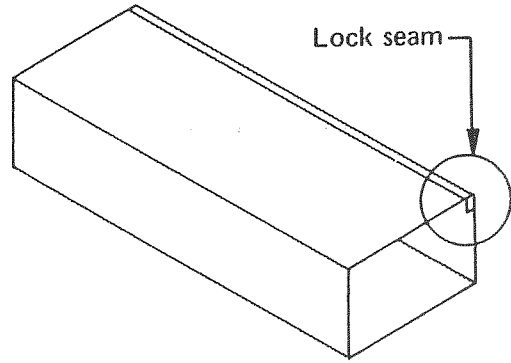


Lock seam

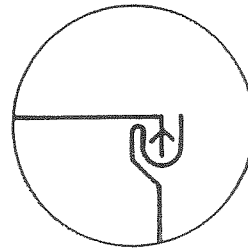
Clinch edge over
as shown dotted.



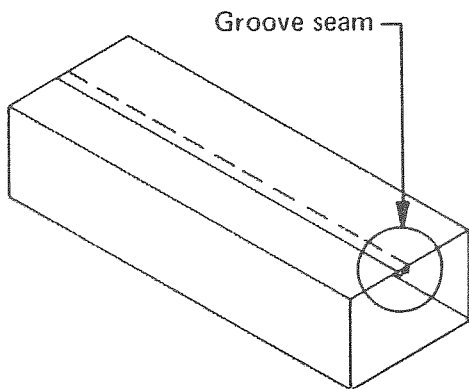
Pittsburgh lock



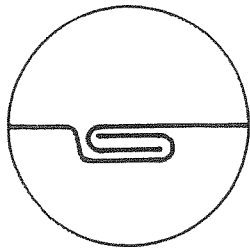
Lock seam



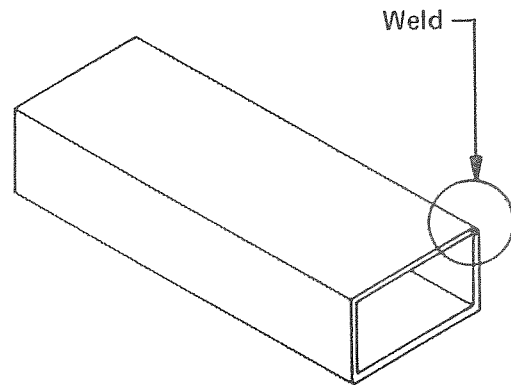
Snap lock



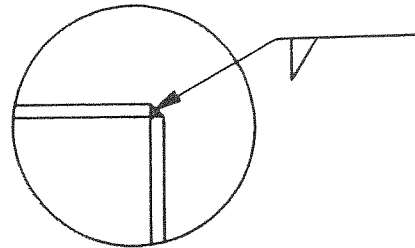
Groove seam



Groove seam



Weld



Corner weld seam

LONGITUDINAL SEAMS-RECTANGULAR DUCTS

DWG.12