

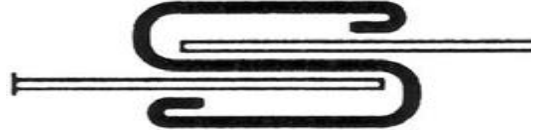
SEAMS AND CONNECTORS

Based On SMACNA Standards

Connector Types



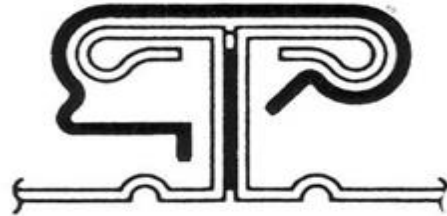
T-1 Drive



T-6 'S' Slip

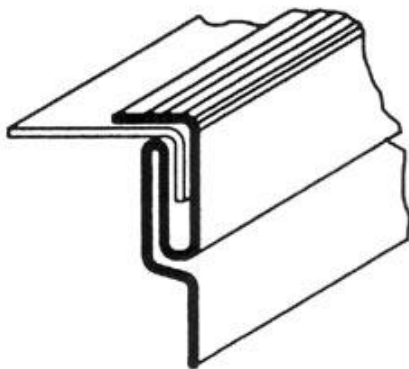


T-11 Standing 'S'

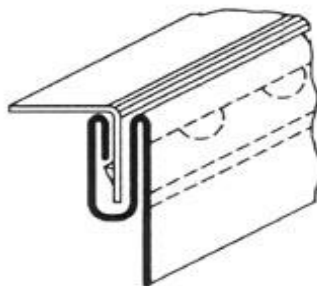


T-25b Flanged (TDF)

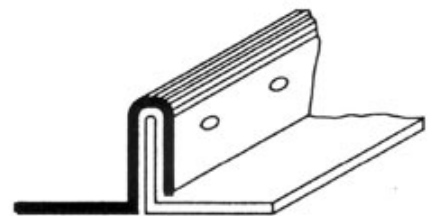
Seam Types



Pittsburgh Lock



Snap Lock



Standing Seam