

FIG. A

FIG. A IS APPLICABLE FOR UP TO 20% AREA OBSTRUCTION WITH ROUND SHAPED MEMBER AND 10% WITH FLAT PROFILE. Y IS THE DISTANCE FROM DUCT CENTER.

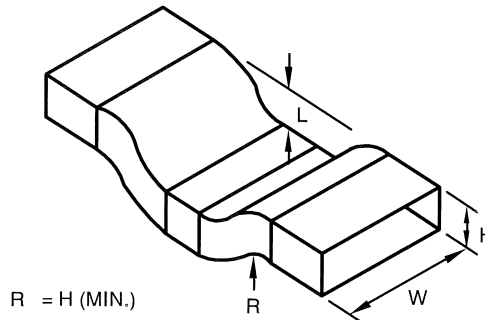


FIG. B

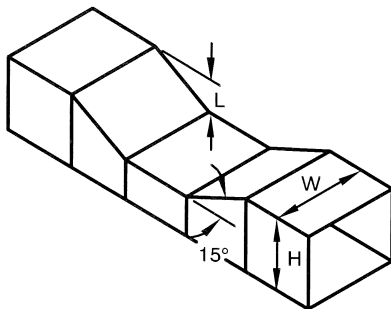
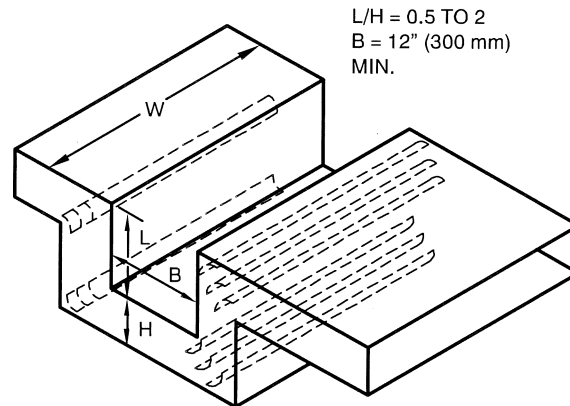


FIG. C

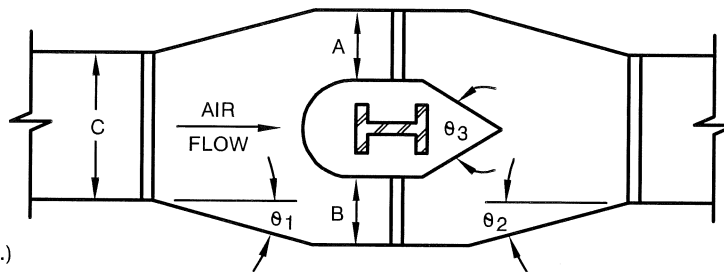
20% MAXIMUM AREA REDUCTION



L/H = 0.5 TO 2  
B = 12" (300 mm) MIN.

FIG. D

VANES MUST DIRECT FLOW PARALLEL TO DUCT WALL  
CAUTION: HIGH LOSS COEFFICIENTS



A+B = 1.25C (MIN.)  
AT CONSTANT DEPTH.

FIG. E

$\theta_1 = 20^\circ$  MAX.  
 $\theta_2 = 30^\circ$  MAX.  
 $\theta_3 = 60^\circ$  MAX.

(USED WHEN OBSTRUCTION EXCEEDS 20% OF SECTION AREA AND OFFSETS AROUND ARE NOT POSSIBLE).

**FIGURE 4-8 OBSTRUCTIONS**